

TYPE 900

Uniflow Threaded Y-Strainers series 900 are devices for mechanically removing solids from flowing media by means of a perforated screen, replaceable in line. They combine a rugged and compact design for indoors installation in industrial plants, building industry, etc.



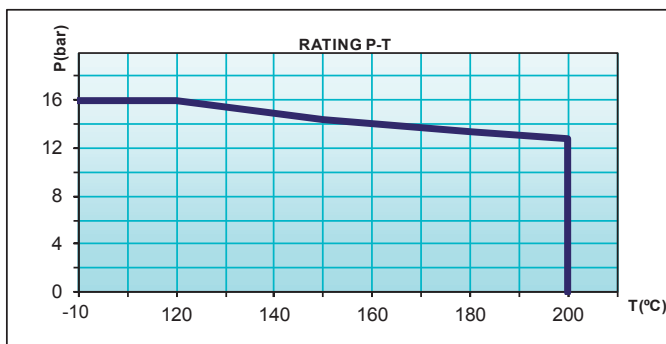
Main Features

Nominal Pressure: PN16
 End connections: Female thread to ISO 228-1 (DIN259-BSPP)
 Marking: EN 19
 Pressure Tests: EN 12266-1
 Inside and outside primer paint layer black color for protection during storage and transport
 Product compliant with Pressure Equipment Directive Art.3-Parr.3

Main Duties / Limits of use

Fresh water and neutral liquids group 2, acc. to PED Annex II table 9
 Low pressure steam, neutral gases group 2 acc. to PED Annex II table 7
 PS: 16 bar; TS: -10/200°C (no CE marking)
 Questions referring to chemical resistance, please consult us
 Observe also pressure/temperature limits on diagram

P (bar)	16	16	14,4	13,4	12,8
T (°C)	-10	120	150	180	200

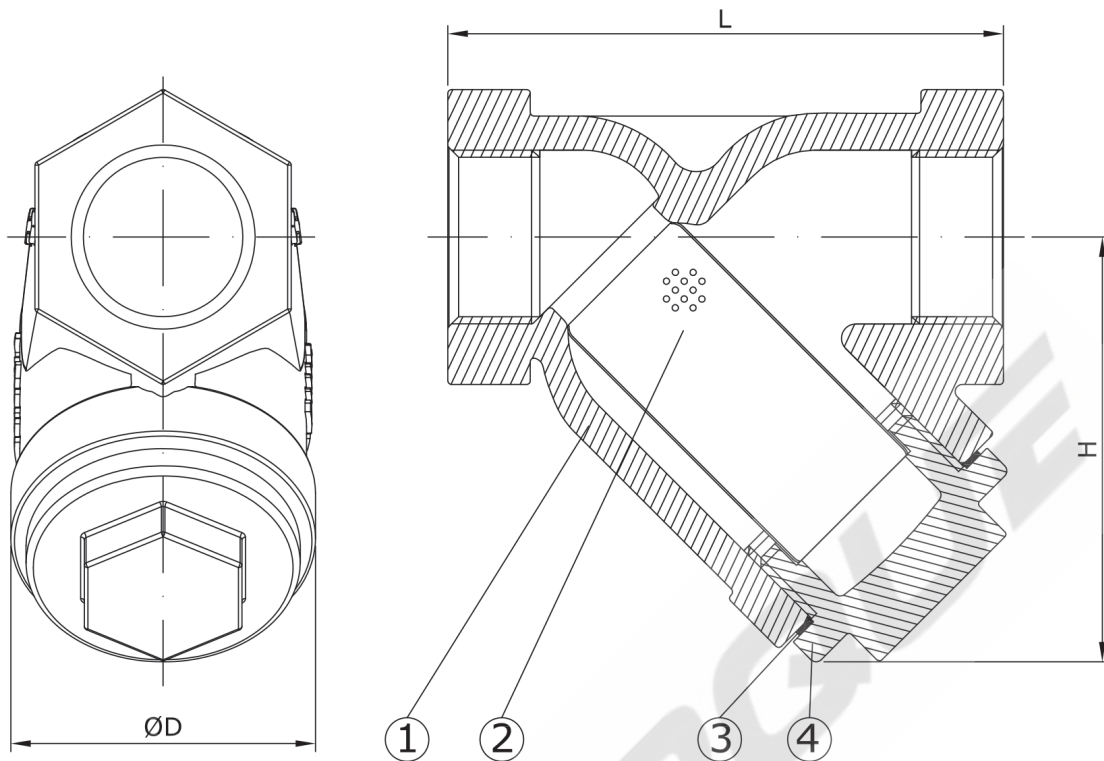


Options

Other screen perforations, other connections, other designs and approvals, please consult us.

Main Parts and Materials

TYPE 900



N°	PART	MATERIAL
1	BODY	Cast Iron EN-JL1040 (GG25)
2	SCREEN	St. Steel 1.4541
3	GASKET	PTFE
4	COVER	Cast Iron EN-JL1040 (GG25)

Main Valve Parameters

	15	20	25	32	40	50
DN	15	20	25	32	40	50
NPS	1/2"	3/4"	1"	1 1/4"	1 1/2"	2"
L	90	104	118	138	154	193
H	65	70	85	105	115	140
ØD	44	51	55	70	85	102
Cover (BSPT)	G3/4"	G1"	G1"	G1-1/2"	G2"	G2-1/2"
Standard screen perforation	1	1	1	1	1	1
Kvs-value	6,7	10,5	17,2	25,3	35,6	59,2
Approx. Weight	1	1,5	2	2,5	4	6,5

Dimensions in mm subject to manufacturing tolerance / Kvs-values in m³/h / Weights in kg