

Y-strainers are devices for mechanically removing solids from flowing liquids or gases by means of a perforated wire mesh straining element. Series 955 and 629 are compact, of cylindrical shape and designed to handle a vast majority of fluids encountered in the process industry such as demineralized water, ammonia, chemicals and gases. They protect equipment downstream and can be either horizontally or vertically installed. Maintenance is easy thanks to the removing screen. These strainers show low pressure drop across thanks to their shape and similarity to pipe line configuration. These Series are made in investment cast stainless steel which adds considerable quality finish to the surface avoiding roughness and pinholes risk.

Marking and tagging, positive flow marking by an arrow, raised symbols denoting heat numbers, Design Pressure and Nominal Diametre. Riveted steel plate in compliance with PED rules

High quality surface made out in investment cast stainless steel, no roughness or risk of pinholes

High Quality stainless steel screen, made out of high resistance wire, rugged and braided. No deformation

Removable bolted cover, to ease maintenance



Fig. 629

Raised flange ends and machined slots to better accommodating the assembling gaskets

Drainage screw, leakage proof for blow off maintenance operations

PTFE gasket to avoid deterioration by corrosive media, temperature constraints to PTFE

Process end connections to threaded and / or flanged to accommodate all pipe work



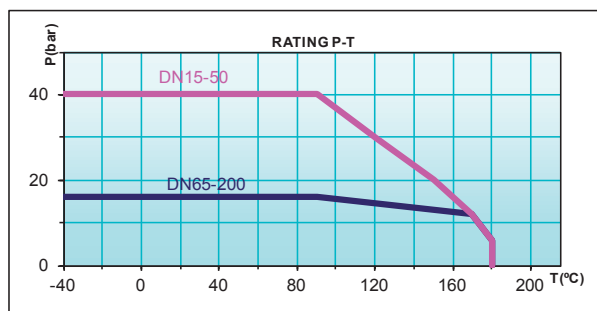
Fig. 955

Main Features / Reference Standards

Nominal Pressure: PN16
 Face to face length: EN 558 S1
 Valve end connections: Flanges EN 1092-1 PN16
 Thread BSPP
 Marking: EN19
 Inspections & Tests: EN 12266-1
 Product compliant with PED when applicable

Main Duties / Limits of use

Fluids compatible with materials of construction
 Pressure Rating: 40 bar (Fig. 629 DN15-DN50 & Fig. 955); 16 barg (Fig. 629 DN65-200)
 Temperature range: -10 / 180°C
 Questions referring to chemical resistance, please consult us



Options

Other screen width, special screen for vacuum service, other designs and approvals, please consult us.

Main Parts and Materials

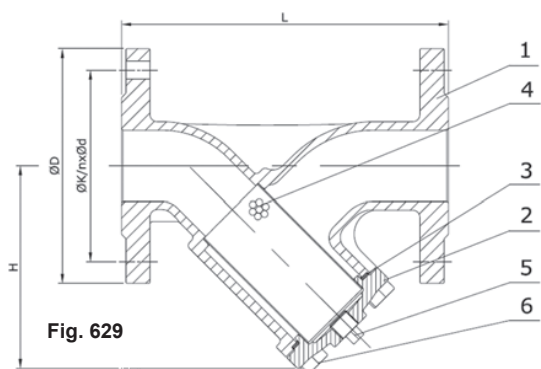


Fig. 629

Nº	Part	Material	Especificación
01	Body	St. Steel	CF8M
02	Cover	St. Steel	CF8M
03	Gasket	PTFE	
04	Screen	St. Steel	SS316
05	Plug	St. Steel	SS304
06	Bolt-Nut	St. Steel	ASTM A194-B8/A194-2H

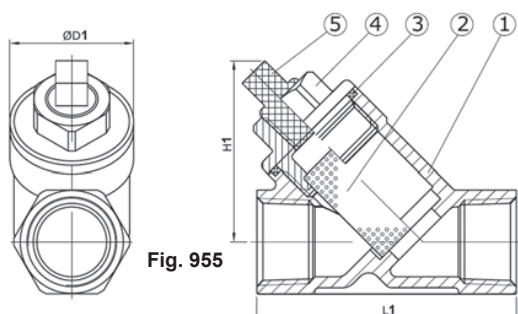


Fig. 955

Nº	Part	Material	Especificación
01	Body	St. Steel	CF8M
02	Screen	St. Steel	SS304
03	Gasket	PTFE	
04	Cap	St. Steel	CF8M
05	Stopper	St. Steel	SS304

Main Parameters

Fig. 629								Fig. 955			
DN	L	H	ØD	ØK	nxØd	Screen Perforation	L1	H1	ØD1	Screen Perforation	
6	1/4"	-	-	-	-	-	65	45	31	0,6	
10	3/8"	-	-	-	-	-	65	45	31	0,6	
15	1/2"	130	75	95	65	4 x 14	65	45	31	0,6	
20	3/4"	150	75	105	75	4 x 14	80	53	36	0,6	
25	1"	160	100	115	85	4 x 14	89	65	45	0,8	
32	1 1/4"	180	120	140	100	4 x 18	105	70	50	0,8	
40	1 1/2"	200	120	150	110	4 x 18	120	80	59	0,8	
50	2"	230	140	165	125	4 x 18	140	103	75	0,8	
65	2 1/2"	290	175	185	145	4 x 18	170	102.7	95.4	0,8	
80	3"	310	196	200	160	8 x 18	195	141.9	111.5	0,8	
100	4"	350	244	220	180	8 x 18	-	-	-	-	
125	5"	400	277	250	210	8 x 18	-	-	-	-	
150	6"	480	320	285	240	8 x 22	-	-	-	-	
200	8"	600	390	340	295	12x22	-	-	-	-	

Dimensions in mm subject to manufacturing tolerance / Weights in kg
Other dimensions on request