

Knife gate valves are isolating valves for on / off services with a lineal sliding of the gate against the valve seat. The gate is featured by a cutting edge end thus providing a better shut off on viscous, powder and sediment media. They are unidirectional valves as standard so the arrow of fluid is to be observed when installing. Their design is favourable to a low pressure drop, light weight and volume, thus making them a good choice for under silo installation.

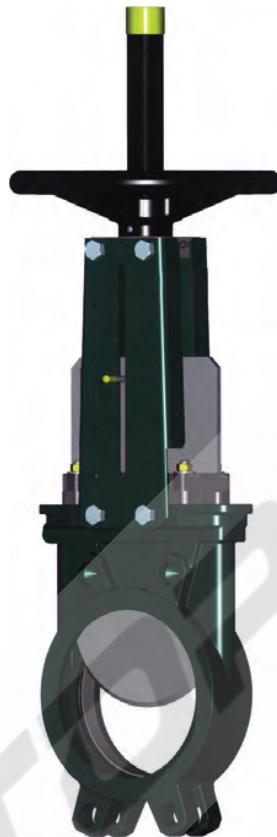
Stem protector against dirtiness and atmospheric agents

Visual Position indicator, identifies the gate position

One piece body, it features a re- tainer less design that prevents atmospheric leakage (DN ≤ 300)

Cutting edge gate, finely machined and polished

Precise pressed body Gasket, vulcanized and not easily tearing off



Protecting lateral hoods consisting of light and rugged metal plates, featuring pre arranged slots to accommodate limit switches

Bolted gland packing, can be in-line tightened acc. to service pressure

Surface corrosive proof thanks to the EPOXI paint

Tapered eyelets to ease valve centering at line end

**Main Features / Reference Standards**

Design: EN 1984 and DIN 3352  
 Pressure Rating: 10 bar (DN50 - DN250), 7 bar (DN300 - DN450), 4 bar (DN500 - DN600), 2 bar (DN700 - DN1200)  
 Face to face length acc. to manufacturer standard  
 Valve end connections: Wafer Design with tapered holes, to be assembled between flanges EN 1092 PN 10  
 Marking: EN19  
 Inspections & Tests: EN 12266-1 / DIN 3230  
 Seat leakage rate: Rate A (full seat tightness)  
 Unidirectional design  
 Epoxy paint, green color RAL6005 (Cast Iron body)  
 Product may be compliant with Pressure Equipment Directive PED, up to category III for European territory

**Main Duties / Limits of use**

Fluids compatible with materials of construction  
 Temperature range: -10 / 80 °C (NBR); -10 / 110 °C (EPDM)  
 For PED compliant products, limits also acc. to PED Annex II Tables 6, 7, 8 & 9, gases and liquids of fluid groups 1 & 2, up to category III  
 Questions referring to chemical resistance, please consult us

**Options**

Other designs and approvals, higher service pressure ratings and temperatures, other connections, limit switches, different actuation, etc. Please consult us

Main Parts and Materials

Fig. VG3400-00/VG6400-00

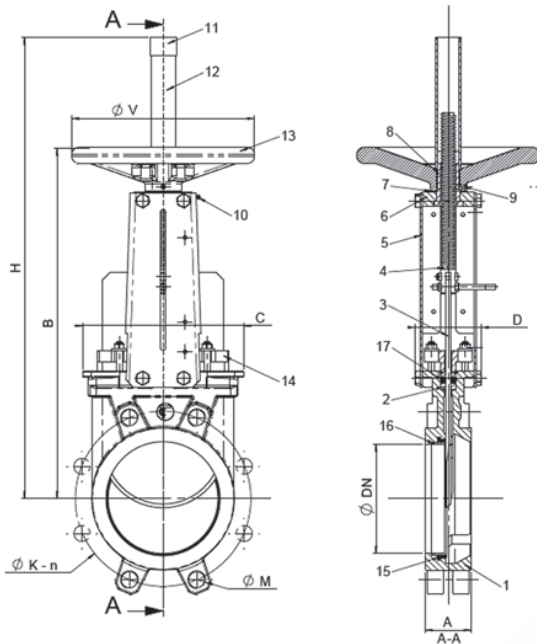
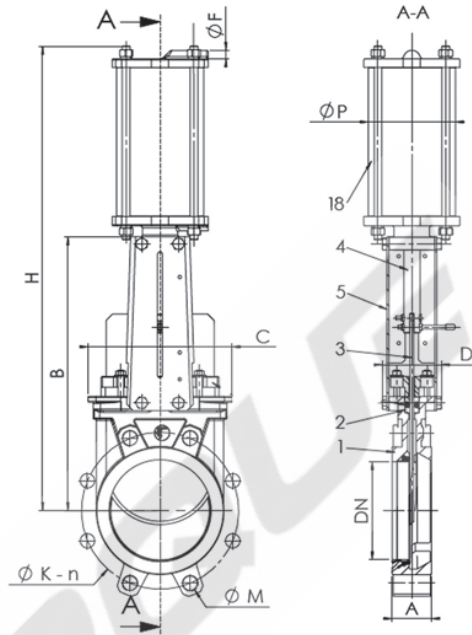


Fig. VG3400-03/6400-03 with pneumatic cylinder, double acting



N°	Part	Material
1 / 3	Body / Gate	VG3400 - Cast iron EN JL 1040 / St. steel X5CrNi 18-10 (304) VG6400 - St. steel GX5CrNiMo 19-11-2 / St. steel X5CrNiMo 17-12-2 (316)
15	Seats	NBR EPDM
2	Packing	PTFE
17	O-ring:	EPDM - NBR
12	Lateral Protecting Hoods	EPOXI coated Steel or Stainless Steel.
18	Actuator	Aluminium

Main parts only, rest on request

Main Valve Parameters

DN (mm)	DN (inch)	A	B	B (3400-03/6400-03)	C	D	Ø V	Ø F (3400-03/6400-03)	Ø P (3400-03/6400-03)	H	H (3400-03/6400-03)	Weight	Weight (3400-03/6400-03)
50	2"	40	283	240	124	83	200	1/4"	80	348	412	7,5	7.5
65	2.1/2"	40	308	265	139	83	200	1/4"	80	388	458	8,8	7.8
80	3"	50	333	290	154	83	200	1/4"	80	413	502	9,4	8.4
100	4"	50	378	335	174	83	200	1/4"	100	488	562	11,5	12.5
125	5"	50	423	373	189	93	250	1/4"	125	564	642	15,4	16.4
150	6"	60	474	424	220	93	250	1/4"	125	635	718	18,5	20.5
200	8"	60	593	533	275	108	310	1/4"	160	809	882	34,8	35.8
250	10"	70	685	625	326	108	310	3/8"	200	946	1044	47	52.0
300	12"	70	792	732	380	108	310	3/8"	200	1118	1164	61	72.0
350	14"	96	900	835	438	290	500	1/2"	250	1282	1362	117	129.0
400	16"	100	978	945	494	290	500	1/2"	250	1441	1542	151	144.0
450	18"	106	1105	1040	547	290	500	1/2"	250	1587	1677	187	177.0
500	20"	110	1215	1150	613	290	500	1/2"	300	1809	1842	205	193.0
600	24"	110	1418	1354	716	290	500	1/2"	300	2060	2147	292	277.0
700	28"	110	(a)	1540	835	400	800	1/2"	350	(a)	2542	(a)	410.0
800	32"	110	(a)	1750	972	400	800	1/2"	400	(a)	2852	(a)	562.0
900	36"	110	(a)	1990	1041	400	800	1/2"	400	(a)	3174	(a)	701.0
1000	40"	110	(a)	2195	1152	450	800	1/2"	400	(a)	3400	(a)	980.0
1200	48"	120	(a)	2390	1255	450	960	1/2"	400	(a)	3880	(a)	1450.0

(a) Valves with gear box

Dimensions in mm subject to manufacturing tolerance / Weights in kg  
Other dimensions on request

Information / restriction of technical rules need to be observed!  
Installation, Operating and Maintenance Manual can be downloaded at [www.comeval.es](http://www.comeval.es)

The engineer, designing a system or a plant, is responsible for the selection of the correct valve  
Product suitability must be verified, contact manufacturer for information