

Non return valves are self acting flow pressure devices that prevent the back flow to the pressurized side of the system. Flex-Swing Check Valves are devised for sewage water, waste and treatment where suspended particles might damage conventional metal seat rings. The seating flap is entirely rubber coated what combined to the valve body seat less design facilitates this feature. Also the inclined bore design favours the flow and improves the flow characteristic while minimizing the pressure drop. The internal and external EPOXI valve body coating prevents surface deterioration and extends the valve life span.

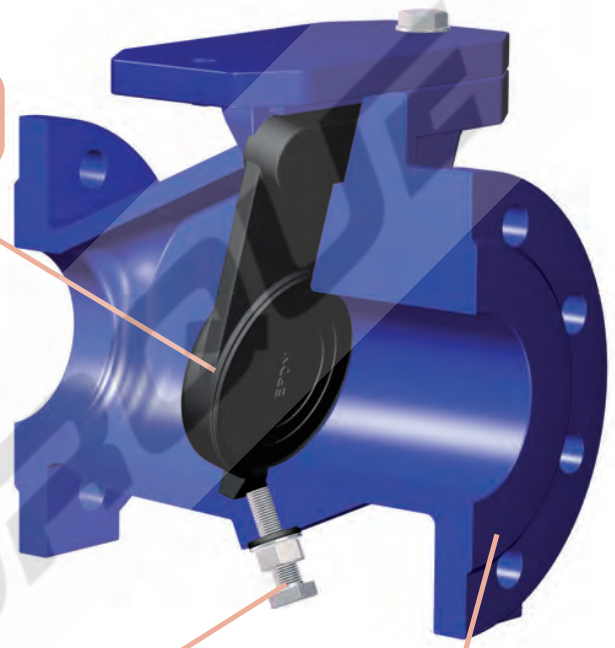
Nameplate incl. batch no. for full traceability

Optimized design, reliable tightness, excellent performance

The internal parts can easily be reached and replaced in line without special tools

When there is no medium flowing in the horizontal pipeline, the disc can automatically return to the close position by gravity

The rubber lined on disc can resist microorganism corrosion, copper pollution and ozone corrosion



Drainage screw to drain stagnated water

Inner and outer epoxy paint coat to extend the valve life span in aggressive media

Codification

5 1 0 7 A E 1 0 0 0 0 1 0 0

5 1 0 7 : Identifies Flex Swing Check Valve

FTF Design

- 0 EN558-1 series 48 (DIN3202-F6)
- A ASME B16.10 (Class125) / AWWA C508

Liner & Gasket Material

- N NBR lined disc and gasket
- E EPDM lined disc and gasket
- 10 Nominal pressure (PN10)
- 16 Nominal pressure (PN16)

Size in Nominal Diameter (DN)

- 050 DN50
- 100 DN100

Main Features

Nominal Pressure: 5107_16 - PN16 (DN50-600); 5107_10 - PN10 (DN200-600);
 Face to face design: 51070 - EN558-1 series 48 (DIN3202-F6); 5107A - ASME B16.10 (Class125) / AWWA C508
 Valve end connections: Flanged to EN 1092-2 type 21 type B PN10 (5107__10) or PN16 (5107__16)
 (valves DN65 with 4 holes as accepted variant in standard)
 Marking: EN 19
 Pressure Tests: EN 12266-1 (51070); AWWA C508 (5107A)
 Seat leakage rate: Rate A (full seat tightness)
 Inside and outside epoxy coating protection blue color similar to RAL5005. Min. average thickness 250 microns
 Product compliant with Pressure Equipment Directive PED, max. category I

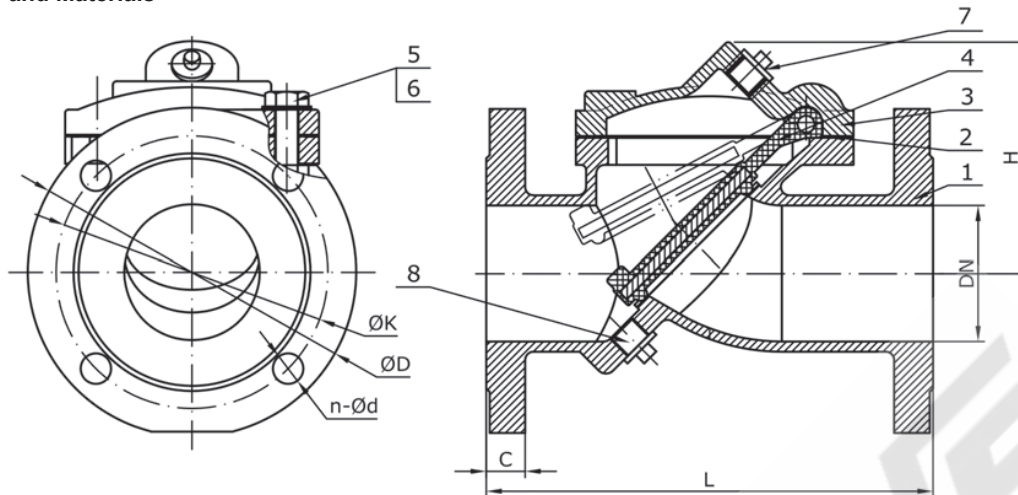
Main Duties / Limits of use

Fresh water and neutral liquids group 2, acc. to PED Annex II table 9 up to category I
 TS: -10/80°C (NBR disc) ; -10/120°C (EPDM disc)
 PS: 5107__16 - PN16 (DN50-600); 5107__10 - PN10 (DN200-600);
 Table 9: PS 16 bar to DN600 (no CE marking DN<=300)
 PS 10 bar DN350 - DN600 (no CE marking)
 Questions referring to chemical resistance, please consult us

Options

Other designs and approvals. Please consult us.

Main Parts and Materials



N°	PART	MATERIAL
1	BODY	Ductile Iron EN-JS1050 (GGG50)
2	GASKET	NBR (51070N/5107AN) / EPDM (51070E/5107AE)
3	COVER	Ductile Iron EN-JS1050 (GGG50)
4	DISC	51070N/5107AN Q235 + Rubber (with Nylon reinforcement) + Encapsulated NBR 51070E/5107EN Q235 + Rubber (with Nylon reinforcement) + Encapsulated EPDM
5	BOLT	St. Steel A2
6	WASHER	St. Steel A2
7	PLUG (Optional)	St. Steel A2
8	PLUG	St. Steel A2

Main Valve Parameters

DN	mm	50	65	80	100	150	200	250
	inch	2	2-1/2	3	4	6	8	10
L (51070)		200	240	260	300	400	500	600
L (5107A)		203,2	215,9	241,3	292,1	355,6	495,3	622,3
H		118	135	160	182	235	275	320
ØD		165	185	200	220	285	340	395
PN10	C	19	19	19	19	19	20	22
	ØK	125	145	160	180	240	295	350
	n-Ød	4-Ø19	4-Ø19	8-Ø19	8-Ø19	8-Ø23	8-Ø23	12-Ø23
PN16	ØD	165	185	200	220	285	340	405
	C	19	19	19	19	19	20	22
	ØK	125	145	160	180	240	295	355
n-Ød		4-Ø19	4-Ø19	8-Ø19	8-Ø19	8-Ø23	12-Ø23	12-Ø28
Approx. Weight		25	30	43	70	125	240	420

DN	mm	300	350	400	450	500	600
	inch	12	14	16	18	20	24
L (51070)		700	800	900	1000	1100	1300
L (5107A)		698,5	787,4	812,8	914,4	1016	1219,2
H		365	400	430	490	530	560
ØD		445	505	565	615	670	780
PN10	C	24,5	24,5	24,5	25,5	26,5	30
	ØK	400	460	515	565	620	725
	n-Ød	12-Ø23	16-Ø23	16-Ø28	20-Ø28	20-Ø28	20-Ø31
PN16	ØD	460	520	580	640	715	840
	C	24,5	26,5	28	30	31,5	36
	ØK	410	470	525	585	650	770
n-Ød		12-Ø28	16-Ø28	16-Ø31	20-Ø31	20-Ø34	20-Ø37
Approx. Weight		645	730	885	1170	1700	2200

Information / restriction of technical rules need to be observed!
Installation, Operating and Maintenance Manual can be downloaded at www.comeval.es

Dimensions in mm subject to manufacturing tolerance / Weights in kg
The engineer, designing a system or a plant, is responsible for the selection of the correct valve
Product suitability must be verified, contact manufacturer for information