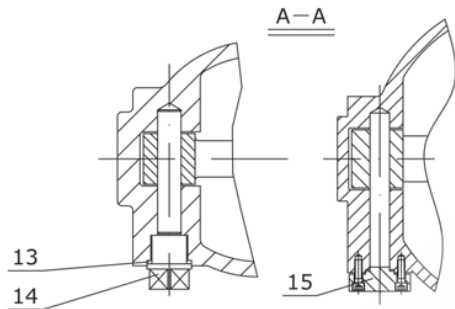
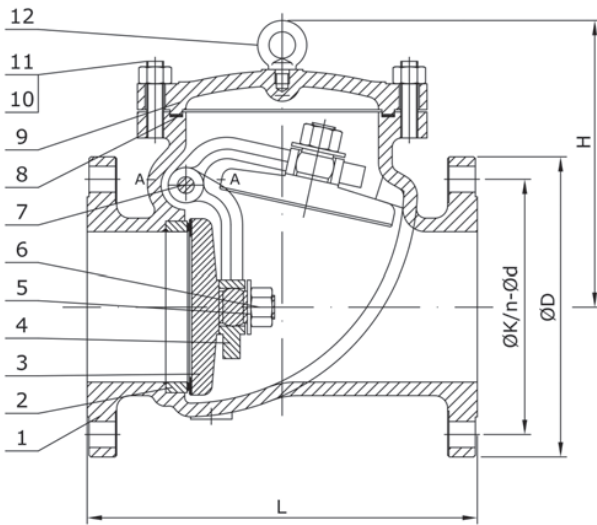


SERIES 3S ANSI RANGE

Main Parts and Materials



(No.15 recommended for size ≥ 16")

N°	PART	MATERIAL		
		3SA0_	3SI20	3SI00
1	Body	A216 WCB	A351 CF8	A351 CF8M
2	Seat Ring	A105	Integral SS304	Integral+HF
3	Disc	A216 WCB	A351 CF8	A351 CF8M
4	Hinge	ASTM A216 WCB	A351 CF8	A351 CF8M
5	Washer	SS304	SS304	SS316
6	Disc Nut	ASTM A194 2H	A194 8	A194 8M
7	Hinge Pin	ASTM A182 F6a	A182 F304	A182 F316
8	Gasket	SS304+Graphite	SS304+Graphite	SS316+Graphite
9	Cover	ASTM A216 WCB	A351 CF8	A351 CF8M
10	Cover Bolt	ASTM A193 B7	A193 B8	A193 B8M
11	Cover Nut	ASTM A194 2H	A194 8	A194 8M
12	Eye Bolt		Carbon Steel	
13	Gasket	SS304	SS304	SS316
14	Plug	ASTM A105	A182 F304	A182 F316
15	Gland	ASTM A105	A182 F304	A182 F316

Fig. 3SA0_	Seat Surface	Disc Surface
TRIM #1 (3SA01)	A105+13Cr	A216 WCB+13Cr
TRIM #5 (3SA05)	A105+HF	A216 WCB+HF
TRIM #8 (3SA08)	A105+HF	A216 WCB+13Cr

HF = Hard faced

Main Valve Parameters

Size	inch	2"	3"	4"	6"	8"	10"	12"	14"	16"	18"	20"	24"	
	DN	50	80	100	150	200	250	300	350	400	450	500	600	
Class 150	RF	L	203	241	292	406	495	622	698	787	914	978	978	1295
		ØD	150	190	230	280	345	405	485	535	595	635	700	815
		ØK	120,7	152,4	190,5	241,3	298,5	362	431,8	476,3	539,8	577,9	635	749,3
	n-Ød	4-Ø19	4-Ø19	8-Ø19	8-Ø22	8-Ø22	12-Ø25	12-Ø25	12-Ø29	16-Ø29	16-Ø32	20-Ø32	20-Ø35	
	H	127	156	177	235	340	410	456	475	552	572	660	740	
	Approx. Weight	13	23	36	62	115	180	275	351	460	575	740	1350	
Class 300	RF	L	267	318	356	444	533	622	711	838	864	978	1016	1346
		ØD	165	210	255	320	380	445	520	585	650	710	775	915
		ØK	127	168,3	200	269,9	330,2	387,4	450,8	514,4	571,5	628,6	685,8	812,8
	n-Ød	8-Ø19	8-Ø22	8-Ø22	12-Ø22	12-Ø25	16-Ø29	16-Ø32	20-Ø32	20-Ø35	24-Ø35	24-Ø35	24-Ø41	
	H	137	180	205	315	370	430	465	505	554	620	680	770	
	Approx. Weight	17	34	55	104	176	258	420	516	780	1150	1350	2100	
Class 600	RF	L	292	356	432	559	660	787	838	889	991	1092	1194	1397
		ØD	165	210	275	355	420	510	560	605	685	745	815	940
		ØK	127	168,3	215,9	292,1	349,2	431,8	489	527	603,2	654	723,9	838,2
	n-Ød	8-Ø19	8-Ø22	8-Ø25	12-Ø29	12-Ø32	16-Ø35	20-Ø35	20-Ø38	20-Ø31	20-Ø44	24-Ø44	24-Ø51	
	H	142	223	256	332	409	478	539	609	660	769	890	954	
	Approx. Weight	22	43	78	155	285	645	615	920	1250	1800	2350	3300	

Dimensions in mm subject to manufacturing tolerance / Weights in kg
Other dimensions on request

Information / restriction of technical rules need to be observed!
Installation, Operating and Maintenance Manual can be downloaded at www.comeval.es

The engineer, designing a system or a plant, is responsible for the selection of the correct valve
Product suitability must be verified, contact manufacturer for information